

PRELIMINARY

MODEL PXE6410

Specification

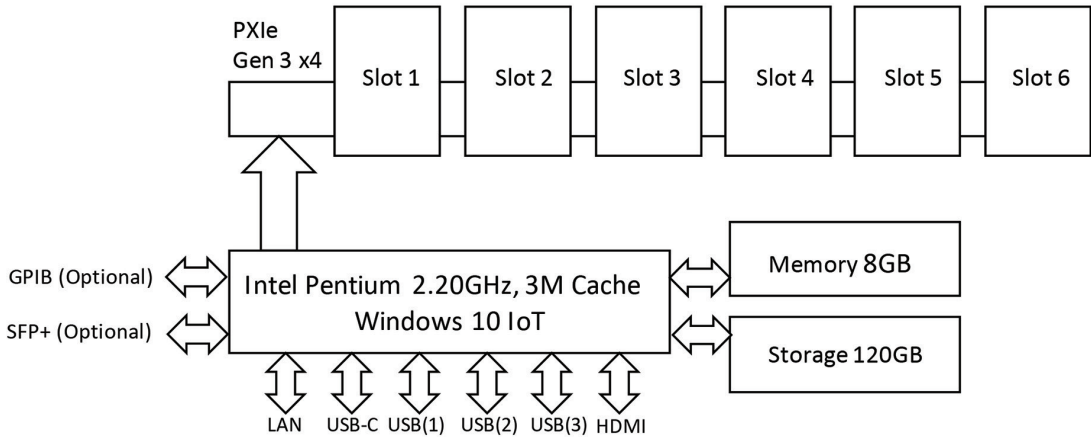
PXIe based chassis with embedded controller

The PXE6410 is a PXIe based 6 slot Gen 3 x4 chassis, that supports the Tabor Proteus Family of AWG's and the TE330x family of PXIe RF amplifiers. The Chassis allows you to purchase any Proteus PXIe module and later add or up-grade to more channels, higher sample rates or higher output power. The system includes an embedded PC with an internal SSD drive, HDMI connection, USB interfaces for a mouse and keyboard, as well as control using USB-C and 1000BASE-T LAN.



Flexibility with Connectivity

Modular PXIe based systems such as the PXE6410 with embedded controllers makes it easy to configure and control an instrumentation system.



P9484M-AWT

Target Applications

An ideal solution for designing modular, scalable control systems for quantum computing, closed loop Electronic Warfare, Radar Target Generation and for prototyping multi-channel MIMO communications systems, the PXE6410 combined with advanced direct RF Arbitrary Waveform Transceivers such as the P9484M-AWT helps solve the most demanding instrumentation integration problems.

Distribution in the UK & Ireland



PRELIMINARY

PXE6410

Specification

CHARACTERISTICS	
Input Voltage Range	100 VAC To 264 VAC
Input Frequency Range	47Hz To 63Hz
Power Consumption	60w Max Per Slot
DC Current Consumption Per Slot	+3.3v 4A Max. +12v 4A Max.
CPU	Intel Pentium 3MB Cache, 2.20GHz (Upgradeable)
Memory	8GB (Upgradeable)
Storage	120GB (Upgradeable)
Operating System	Windows 10 IOT
USB	1 X Front Panel USB Host (Type A) 2 X Rear Panel USB Host, (Type A) 1 X Rear Panel Usb Device (Type C)
Lan (Base-T)	1 X Rear Panel RJ-45 1000/100/10
SFP+ (Optional, Replaces RJ45)	1 X Rear Panel SFP+ 10G Optical
GPIB (Optional)	IEEE 488.2 – GP-IB
Display	1 X Rear Panel HDMI



TE3202

CONFIGURATIONS	
Slot Usages	
Proteus AWG	– 2 Slots
Proteus AWT	– 3 Slots
TE320x Amplifiers	– 1 Slot
Typical Configurations	
12 CH RF-AWG	3x 9GS/s 16Bit 8GS Mem 4CH 8 Markers RF AWG Module
4 CH RF-AWG, High Power	1x 9GS/s 16Bit 8GS Mem 4CH 8 Markers RF AWG Module 2x Model 3202 PXIe based Dual Channel 20GHz 30dBm RF amplifier
8 CH AWG, 2 CH Digitizer	1x Model P9484M 9GS/s 16Bit 8GS Mem 2CH 8 Markers RF AWT Module 1x Model P9484M 9GS/s 16Bit 8GS Mem 2CH 8 Markers RF AW6 Module

GENERAL	
Weight:	
Without Package	7.5 kg
Shipping Weight	9 kg
Dimensions:	
With feet	175 X 221 x 316 mm (W x H x D)
Without feet	175 X 235 x 316 mm (W x H x D)
Temperature:	
Operating	0°C to +40°C
Storage	-40°C to +70°C 15 minutes
Warm Up Time	15 minutes
Humidity:	85% RH, non-condensing
Safety:	CE Marked, EC61010-1:2010
EMC:	IEC 61326-1:2013