

LASOS® **LDM-XT laser series**

Next generation laser diode modules
Free beam with shutter and adapter plate
120 mW at 808 nm



TLD-XT 808XX TS

TLD-XT 808XX A

- Outstanding long term stability
- Excellent beam quality
- Reliable and robust
- Maintenance free
- Compact design
- Suitable for OEM applications
- Software control via integrated USB
- Customization on request

Distribution in the UK & Ireland



Lambda Photometrics Limited

Lambda House Batford Mill
Harpenden Herts AL5 5BZ
United Kingdom

E: info@lambdaphoto.co.uk

W: www.lambdaphoto.co.uk

T: +44 (0)1582 764334

F: +44 (0)1582 712084



Next generation laser diode module

LASOS® LDM-XT laser series

The LASOS LDM-XT laser series is the latest generation of laser diode modules designed to fulfil specific customer's needs for a particular application. Its modular concept allows adapting different requirements regarding optical and electrical properties. Whether it is delivered as an OEM component for instrumentation or for stand alone applications in science or research the customer has the choice between several options which ensure always the best price-performance ratio. With its compact and robust housing, easy setup and intelligent control the LASOS LDM-XT laser series is the ideal choice when reliability and accuracy matter.

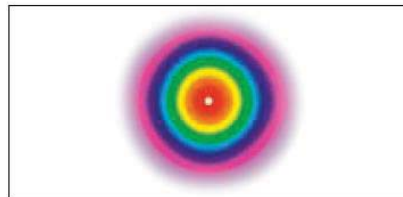
The laser diode modules are available in a free beam version or with a permanently aligned coupling into a single mode polarization maintaining fiber. The fiber patchcord can be designed by the customer choosing from various options regarding jacket and connectors. Additionally, the customer can choose from a range of optomechanical components like precision fiber plugs and sockets for adjustment free docking to an instrument or beam combining to transfer several beams into one collinear beam or one fiber. Based on these features the new LASOS LDM-XT series is the best choice for

- Microscopy
- Flow Cytometry
- Bioanalytical Research
- Industrial Measurement
- Testing
- Science and Education

| | |
|-----------------------------------|---|
| Wavelength | 808 nm ± 5 nm |
| Spot roundness | 0.5...1 |
| Beam diameter | 0.8 mm ± 0.3 mm |
| Spectral Linewidth | < 3 nm |
| Output power | 120 mW |
| Output power stability within 8 h | ≤ ±2.0 % |
| Noise 30 Hz ... 10 MHz | ≤ 0.5 % rms |
| Warm up period | < 10 min |
| Beam quality M ² | ≤ 1.3 |
| Pointing stability | < 6 μrad K ⁻¹ |
| Polarization ratio | ≥ 100:1 |
| Operating voltage | 12 V ±0.1 V |
| Accessory | SwitchBox SSL 1000, 12 V power supply |
| Output type | Free beam with shutter or adapter plate |

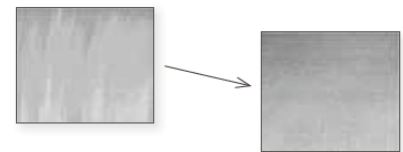
Options on request

C Circular beam



H SHINE

(Speckle Homogenizer and Image Noise Eraser)



N² Narrow bandwidth (Reduced spectral width)



L Longitudinal singlemode (High coherence length)



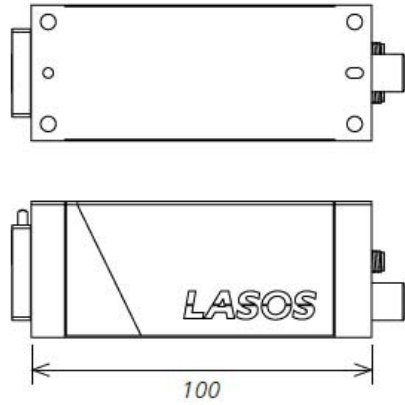
²⁾ on request, ask for lead time

LASOS

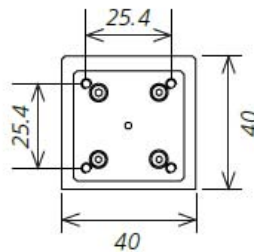
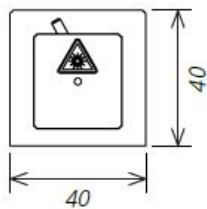
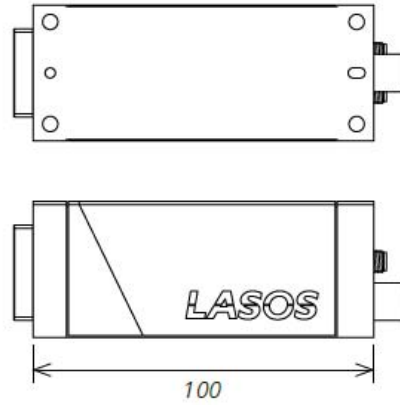
For worldwide photonics

Dimensions:

Free beam with shutter
(TS version)



Free beam with adapter plate
(A version)



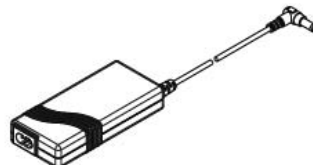
Accessory:

Accessory: Stand alone kit for LASOS LDM-XT laser series:

SwitchBox SSL 1000,
CDRH compliant



Power supply 12 V,
power cord and
interface cable included



Distribution in the UK & Ireland



Lambda Photometrics Limited
Lambda House Batford Mill
Harpenden Herts AL5 5BZ
United Kingdom
E: info@lambdaphoto.co.uk
W: www.lambdaphoto.co.uk
T: +44 (0)1582 764334
F: +44 (0)1582 712084